



SUBARU

Industrial Power Products

RGX2900

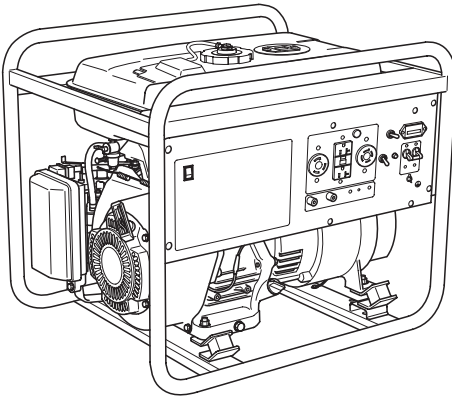
RGX3600

RGX4800

RGX6500

RGX7500

INSTRUCTIONS FOR USE
MANUAL DE INSTRUCCIONES




3ZZ9990578

SUBARU Generator

(CPS 16 CFR Part 1407)

⚠ DANGER

Using a generator indoors CAN KILL YOU IN MINUTES.
Generator exhaust contains carbon monoxide. This is a poison you cannot see or smell.



NEVER use inside a home or garage, EVEN IF doors and windows are open.

Only use OUTSIDE and far away from windows, doors, and vents.

(California Proposition 65)

⚠ WARNING : ⚠

The engine exhaust from this product contains chemicals known to the State of California to cause cancer, birth defects or other reproductive harm.

(California only)

AIR INDEX

To show compliance with California emission regulations, a hangtag has been provided displaying the Air Index level and durability period of this engine.

The Air Index level defines how clean an engine's exhaust is over a period of time. A bar graph scaled from "0" (most clean) to "10" (least clean) is used to show an engine's Air Index level. A lower Air Index level represents cleaner exhaust from an engine.

The period of time (in hours) that the Air Index level is measured is known as the durability period. Depending on the size of the engine, a selection of time periods can be used to measure the Air Index level (see below).

<u>Descriptive Term</u>	<u>Applicable to Emissions Durability Period</u>
Moderate	- 50 hours (engine from 0 to 80 cc) 125 hours (engine greater than 80 cc)
Intermediate	- 125 hours (engine from 0 to 80 cc) 250 hours (engine greater than 80 cc)
Extended	- 300 hours (engine from 0 to 80 cc) 500 hours (engine greater than 80 cc) 1000 hours (225 cc and greater)

Notice : This hangtag must remain on this engine or piece of equipment, and only be removed by the ultimate purchaser before operation.

Notice : FEDERAL EMISSION COMPONENT DEFECT WARRANTY and CALIFORNIA EMISSION CONTROL WARRANTY are applicable to only those engines/ generators complied with EPA (Environmental Protection Agency) and CARB (California Air Resources Board) emission regulations in the U.S.A.

Notice : To the engines/generators exported to and used in the countries other than the U.S.A., warranty service shall be performed by the distributor in each country in accordance with the standard SUBARU engine/generator warranty policy as applicable.

FOREWORD

Thank you very much for purchasing a **SUBARU GENERATOR**.

This manual covers operation and maintenance of the **SUBARU GENERATOR**.

This **SUBARU GENERATOR** can be used for general electrical equipments, appliances, lamps, tools as an AC power source. With regards to DC application, the terminals are used only for charging 12 volt battery.

Never use this generator for any other purposes.

Please take a moment to familiarize yourself with the proper operation and maintenance procedures in order to maximize the safe and efficient use of this product.

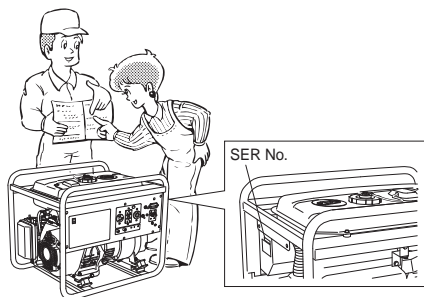
Keep this owner's manual at hand, so that you can refer to it at any time.

Due to constant efforts to improve our products, certain procedures and specifications are subject to change without notice.

When ordering spare parts, always give us the **SERIAL NUMBER (SER No.)** of your Product.

Please fill in the following blanks after checking the production number on your product.
(Location of label is different depending on the product model.)

SER NO.				



CONTENTS

1. SAFETY PRECAUTIONS	1
2. SPECIFICATIONS	3
3. COMPONENTS	4
4. PRE-OPERATION CHECKS	8
5. OPERATING PROCEDURES	12
6. WATTAGE INFORMATION	21
7. SPARK ARRESTER	23
8. MAINTENANCE SCHEDULE	24
9. "HOW-TO" MAINTENANCE	26
10. PREPARATION FOR STORAGE	29
11. TROUBLESHOOTING	30
12. WIRING DIAGRAM	31

Symbols and Meanings

In accordance with the European requirements (eec Directives), the specified symbols as shown in the following table are used for the products and this instruction manual.

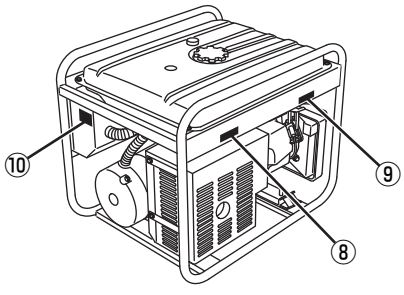
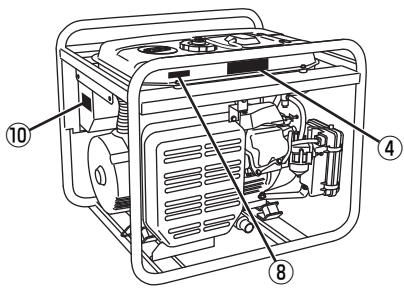
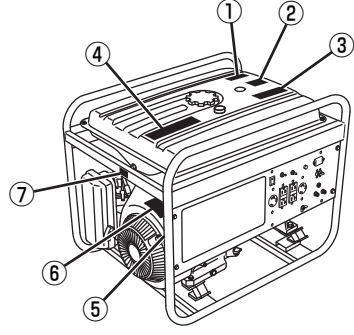
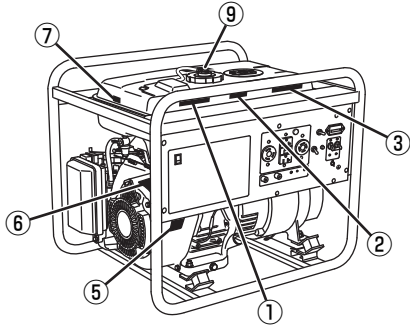
	Read the operator's instruction manual.		Fire, open light and smoking prohibited.
	Stay clear of the hot surface.		Do not connect the generator to the commercial power lines.
	Exhaust gas is poisonous. Do not operate in an unventilated room.		Do not operate in rain or snow.
	Stop the engine before refueling.		Call for maintenance.
	Caution, risk of electric shock.		Keep dry.
	HOT, avoid touching the hot area.		

	ON (power and Engine)		IN-position of a bistable push control		Engine start (Electric start)
	OFF (power and Engine)		Protective earth (ground)		Engine stop
	Alternating current		Fuse		Gasoline
	Direct current		Engine oil		Fast
	Plus ; positive polarity		Add oil		Slow
	Minus ; negative polarity		Battery charging condition		Fuel start / Open
	OUT-position of a bistable push control		Choke ; cold starting aid		Fuel stop / Close

P_r	Rated power (kW)	COP	Continuous power	$COS \Phi_r$	Rated power factor
f_r	Rated frequency (Hz)	U_r	Rated voltage (V)	I_r	Rated current (A)
H_{max}	Maximum site altitude above sea-level (m)	T_{max}	Maximum ambient temperature (°C)	m	Mass (kg)

RGX2900, RGX3600, RGX4800

RGX6500, RGX7500



1

CAUTION
 WHEN REFUELING, STOP THE ENGINE BEFORE FILLING FUEL TANK. DO NOT FILL OVER THE SPECIFIED LEVEL LINE.

PRECAUTION
 LORSQU'ON RECHARGE LE RÉSERVOIR DE COMBUSTIBLE, ARRÊTEZ LE MOTEUR ET NE REMPLISSEZ PAS LE RÉSERVOIR AU-DELÀ DE LA LIGNE DE SIGNAL DE NIVEAU.

PRECAUTION
 Cuando se reponga el tanque de combustible, deténgase el motor antes de llenarlo. No sobrepase la línea de señal de nivel.

2

Maximum Fuel level
 Niveau maximum de carburant
 Nivel máximo de combustible

3

WARNING
 READ OPERATOR MANUAL BEFORE OPERATING. ALWAYS WEAR YOUR SAFETY GEAR. ALWAYS USE PROPER LIFTING TECHNIQUE. ALWAYS USE PROPER TIE-OFF TECHNIQUE. ALWAYS USE PROPER BRACING TECHNIQUE. ALWAYS USE PROPER TIE-OFF TECHNIQUE. ALWAYS USE PROPER BRACING TECHNIQUE. ALWAYS USE PROPER TIE-OFF TECHNIQUE. ALWAYS USE PROPER BRACING TECHNIQUE.

AVERTISSEMENT
 LIREZ LE MANUEL DE CONDUCTEUR AVANT D'OPÉRER. TOUJOURS PORTER VOS ÉQUIPEMENTS DE SÉCURITÉ. TOUJOURS UTILISER LA BONNE TECHNIQUE DE LEVAGE. TOUJOURS UTILISER LA BONNE TECHNIQUE DE BRANCARDAGE. TOUJOURS UTILISER LA BONNE TECHNIQUE DE BRANCARDAGE. TOUJOURS UTILISER LA BONNE TECHNIQUE DE BRANCARDAGE.

4

DANGER
 Using a generator indoors CAN KILL YOU IN MINUTES. Generator Exhaust contains carbon monoxide. This is a poison you cannot see or smell.

PELIGRO
 Si utilizas un generador en un lugar cerrado PUEDE MATARTE. LA RESPIRACIÓN DE MONÓXIDO DE CARBONO ES UN VENENO QUE NO PUEDES VER NI OLER.

DANGER
 L'utilisation d'un générateur à l'intérieur PEUT VOUS TUEZ. L'usage de ce matériel dans un espace clos peut provoquer la mort.

5

EMISSION CONTROL INFORMATION
 EX35-00

THE AIR INDEX OF THIS ENGINE IS **3** MOST CLEAN LEAST CLEAN

FOR EXTENDED DURABILITY, CHECK THE OWNER'S MANUAL FOR FURTHER DETAILS.

EMISION CONTROL INFORMATION
 EL INDICE DE AERÍA DE ESTE MOTOR ES **3** MÁS LIMPIO MENOS LIMPIO

PAR UNA DURABILIDAD AMPLIADA, REVISAR EL MANUAL DEL PROPIETARIO PARA OBTENER MÁS DETALLES.

REFER TO OWNER'S MANUAL FOR MAINTENANCE SPECS AND ADJUSTMENTS. THIS ENGINE MEETS THE EPA CARBON MONOXIDE COMPLIANCE PERIOD: 10000 AND 2011 CA 9 SCORE EX1.

REVISAR EL MANUAL DEL PROPIETARIO PARA OBTENER MÁS DETALLES DE MANTENIMIENTO Y AJUSTES. ESTE MOTOR CUMPLE CON EL PERÍODO DE CONFORMIDAD DE MONÓXIDO DE CARBONO: 10000 HORAS Y 2011 CA 9 PUNTO EX1.

2089320813 FUJI HEAVY INDUSTRIES LTD. SUBARU

1 1 M N P R S T U V W X Y Z 7

6

WARNING

Read INSTRUCTIONS FOR USE before use.

The engine will start to run if you remove the fuel tank cap. Check for always wear harness and straps. Check all fasteners and their torque is set to spec.

Leve as instruções para uso antes de usar.

O motor irá começar a funcionar se remover a tampa do tanque de combustível. Verifique sempre o uso do cinto de segurança e os seus pontos de fixação. Verifique todos os parafusos e o seu torque está definido de acordo com as especificações.

7

OFF OFF ON

8

9

WARNING
 Operation of This Equipment May Create Sparks That Can Start Fires Around Dry Vegetation. A Spark-Arrestor May be Required. The Operator Should Contact Local Fire Agencies For Laws or Regulations Relating to Fire Prevention Requirements. CALIFORNIA PUBLIC RESOURCES CODE SECTION 44422.6

10

RGX *****

AC VOLT *****V FREQUENCY 60Hz
 AC AMP *****A POWER FACTOR 1.0
 AC MAX *****V FUEL GASOLINE
 OUTPUT RATED *****A DC OUTPUT 12V~3.3A

FUJI HEAVY INDUSTRIES LTD.
 MADE IN JAPAN

1. SAFETY PRECAUTIONS

Please make sure you review each precaution carefully.

Pay special attention to statement preceded by the following words.

⚠ DANGER “DANGER” indicates a possibility of death or serious injury if instructions are not followed.

⚠ WARNING “WARNING” indicates a strong possibility of severe personal injury or loss of life if instructions are not followed.

⚠ CAUTION “CAUTION” indicates a possibility of personal injury or equipment damage if instructions are not followed.

⚠ WARNING

Do not operate the generator near gasoline or gaseous fuel because of the potential danger of explosion or fire.

Do not fill the fuel tank with fuel while the engine is running. Do not smoke or use open flame near the fuel tank. Be careful not to spill fuel during refueling.

If fuel is spilt, wipe it off and let dry before starting the engine.



⚠ WARNING

Do not place in flammables near the generator.

Be careful not to place fuel, matches, gunpowder, oily cloths, straw, trash, or any other in flammables near the generator.

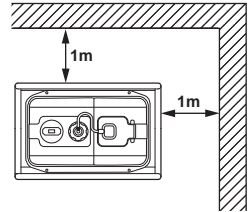
⚠ WARNING

Do not operate the generator inside a room, cave, tunnel, or other insufficiently ventilated area.

Always operate it in a well-ventilated area, otherwise the engine may become overheated, and the poisonous carbon monoxide gas, an odorless, colorless, poison gas, contained in the exhaust gas will endanger human lives.

Operate generator only outdoors and far from open windows, doors, ventilation intakes and other openings.

Keep the generator at least 1 meter (3 feet) away, including overhead, from any structure or building use.



⚠ WARNING

Do not enclose the generator nor cover it with a box.

The generator has a built-in forced air cooling system, and may become overheated if it is enclosed.

If generator has been covered to protect it from the weather during non use, be sure to remove it and keep it well away from the area during generator use.

⚠ WARNING

Operate the generator on a level surface.

It is not necessary to prepare a special foundation for the generator.

However, the generator will vibrate on an irregular surface, so choose a level place without surface irregularities.

If the generator is tilted or moved during operation, fuel may spill and / or the generator may tip over, causing a hazardous situation.

Proper lubrication cannot be expected if the generator is operated on a steep incline or slope. In such a case, piston seizure may occur even if the oil is above the upper level.

⚠ WARNING

Pay attention to the wiring or extension cords from the generator to the connected device.

If the wire is under the generator or in contact with a vibrating part, it may break and possibly cause a fire, generator burnout, or electric shock hazard.

Replace damaged or worn cords immediately.



⚠ WARNING

Do not operate in rain, in wet or damp conditions, or with wet hands.

The operator may suffer severe electric shock if the generator is wet due to rain or snow.

⚠ WARNING

If wet, wipe and dry it well before starting. Do not pour water directly over the generator, nor wash it with water.

⚠ WARNING

Be extremely careful that all necessary electrical grounding procedures are followed during each and every use. Failure to do so can be fatal.

⚠ WARNING

Do not contact the generator to a commercial power line. Connection to a commercial power line may short circuit the generator and ruin it or cause electric shock hazard. Use the transfer switch for connecting to domestic circuit.



⚠ WARNING

No smoking while handling the battery. The battery emits flammable hydrogen gas, which can explode if exposed to electric arcing or open flame. Keep the area well-ventilated and keep open flames/sparks away when handling the battery.



⚠ WARNING

Engine becomes extremely hot during and for some time after operation. Keep combustible materials well away from generator area. Be very careful not to touch any parts of the hot engine especially the muffler area or serious burns may result.



⚠ WARNING

Keep children and all bystanders at a safe distance from work areas.

⚠ WARNING

It is absolutely essential that you know the safe and proper use of the power tool or appliance that you intend to use. All operators must read, understand and follow the tool/appliance owners manual. Tool and appliance applications and limitations must be understood. Follow all directions given on labels and warnings. Keep all instruction manuals and literature in a safe place for future reference.

⚠ WARNING

Use only "LISTED" extension cords. When a tool or appliance is used outdoors, use only extension cords marked "For Outdoor Use". Extension cords, when not in use should be stored in a dry and well ventilated area.

⚠ WARNING

Always switch off generator's AC circuit breaker and disconnect tools or appliances when not in use, before servicing, adjusting, or installing accessories and attachments.

⚠ CAUTION

Make sure the engine is stopped before starting any maintenance, servicing or repair. Make sure maintenance and repair of the generator set are performed by properly trained personnel only.

⚠ CAUTION : PRECAUTIONS ON THE HANDLING OF THE WARNING LABEL

Warning labels are affixed to our engines with regard to particularly serious dangers. When using the engines, please use them safely after carefully reading the instruction manual and understanding the dangers.

Warning Label Exclusively for the United States and Canada

⚠ WARNING

Read INSTRUCTIONS FOR USE before use.

The engine emits toxic gas that can kill you or injure. Do not run in an enclosed area.

Hot surface can burn you. Stay away if engine has been running.

Gasoline is extremely flammable and its vapors can explode.

Stop the engine before refueling.

Check for leakage from hoses and fittings.

Shut off fuel valve when the engine is not in use.

⚠ AVERTISSEMENT

Lisez les INSTRUCTIONS POUR L'USAGE avant de utiliser le moteur.

Le moteur émet des gaz toxiques qui peuvent tuer l'utilisateur ou l'endommager gravement. Ne pas faire fonctionner le moteur dans un espace clos.

La surface chaude peut vous brûler.

Éteignez le moteur si il n'est pas utilisé.

Le gazole est extrêmement inflammable et ses vapeurs peuvent exploser.

Arrêtez le moteur avant de faire le plein ou combustible.

Vérifiez toute présence de fuite à partir des tuyaux et des raccords.

Éteignez le moteur si combustible quand le moteur n'est pas utilisé.

⚠ ADVERTENCIA

Leer las INSTRUCCIONES PARA EL USO antes de utilizar el motor.

El motor emite un gas tóxico que puede matar al operador o dañar gravemente. No haga funcionar el motor en un espacio cerrado.

La superficie caliente puede quemar.

Apague el motor si no se utiliza.

La gasolina es extremadamente inflamable y sus vapores pueden explotar.

Detenga el motor antes de hacer el lleno de combustible.

Compruebe de fugas presencia de fuga a partir los tubos y conexiones.

Desconecte el circuito de combustible cuando no se utiliza el motor.

For use in the United States or Canada, please affix the label suited to the region from among the enclosed warning labels.

2. SPECIFICATIONS

MODEL		RGX2900	RGX3600	RGX4800	RGX6500	RGX7500	
Generator	Type	Brush-less, self-exciting, 2-poles, single phase			Brush, self-exciting, 2-poles, single phase		
	Voltage regulating system	Condenser type			AVR type		
	AC Output						
	Rated voltage-Frequency	V-Hz	120-60	120/240-60			
	Rated current	A	20.0	24.1/12.0	34.1/17.0	41.7/20.8	50/ 25
	Rated output	VA (W)	2400	2900	4100	5000	6000
	Maximum output	VA (W)	2900	3600	4800	6500	7500
	Rated power factor		1.0				
	Safety device type		Fuse-less circuit breaker				
	DC Output						
Rated voltage	V	12					
Rated current	A	8.3					
Safety device type		Fuse-less circuit breaker					
Engine	Model	EX17D	EX21D	EX27D	EX35D	EX40D	
	Type	SUBARU, Air-cooled, 4-stroke, OHC, Gasoline Engine					
	Displacement	mL (cu.in.)	169 (10.31)	211 (12.88)	265 (16.17)	404 (24.65)	
	Fuel		Automotive Unleaded Gasoline				
	Fuel Tank Capacity	L (U.S.gal)	11.2 (3.0)			22.0 (5.8)	
	Engine oil capacity	L (U.S.gal)	0.6 (0.16)		1.0 (0.26)	1.2 (0.32)	
	Spark plug		BR-6HS (NGK)				
	Starting system		Recoil starter		Electric starter / Recoil		
Dimension	Length	mm (in.)	580 (22.8)	605 (23.8)	650 (25.6) (815 (32.1))*1	710 (28.0) (875 (34.4)) *1	
	Width	mm (in.)	420 (16.5)	450 (17.7)	510 (20.1)	545 (21.5)	
	Height	mm (in.)	480 (18.9)	500 (19.7)	540 (21.3)	595 (23.4)	
Dry Weight	kg (lb)	48 (105.8)	54 (119.1)	70 (154.4) (73 (161)) *2	84.4 (186.1) (87.4 (192.7)) *2	93.5 (206.2) (96.5 (212.8)) *2	
Valve Clearance (Intake & Exhaust)	mm (in.)	0.12 ^{+0.03} ₀ mm (0.0047 ^{+0.0012} ₀ in.) Note : Adjust the valve clearance while the engine is cold.					

Specifications are subject to change without notice.

NOTE

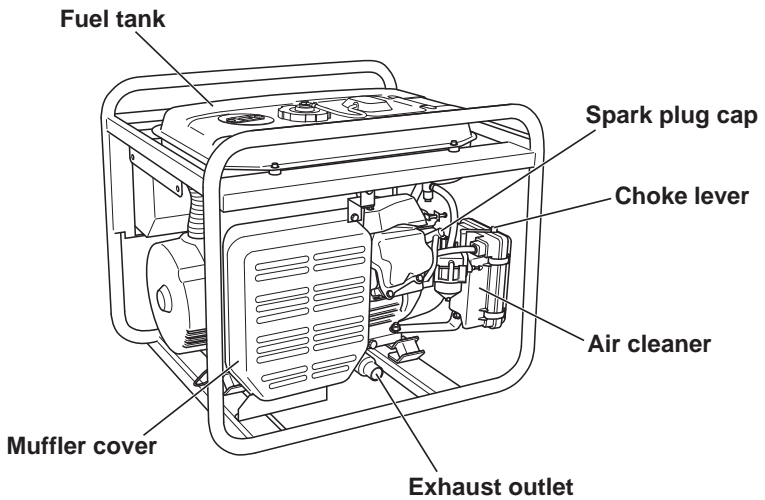
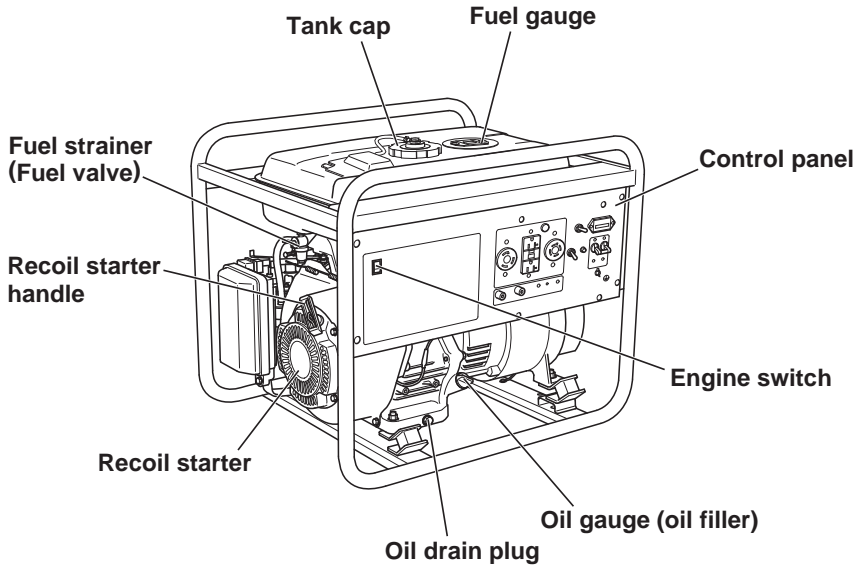
*1: () shows dimensions with Battery frame.

*2: () shows dry weight with Electric starter.

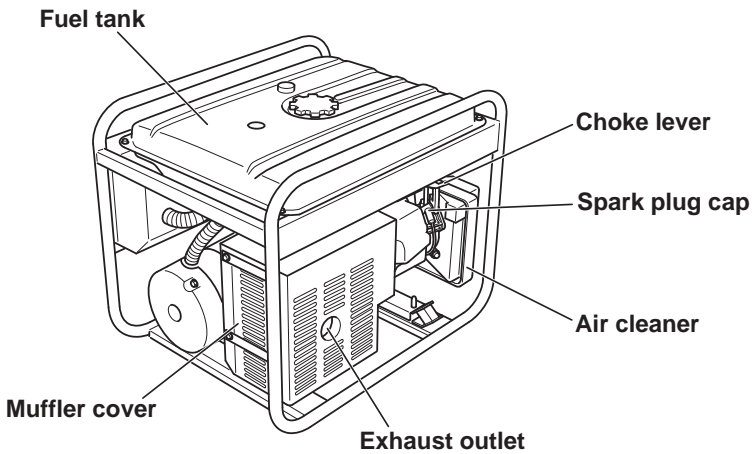
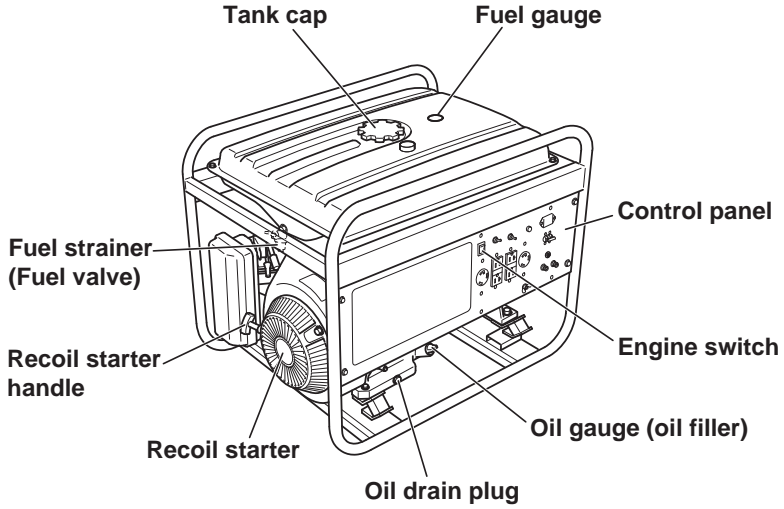
3. COMPONENTS

RGX2900, RGX3600, RGX4800

ENGLISH



RGX6500, RGX7500

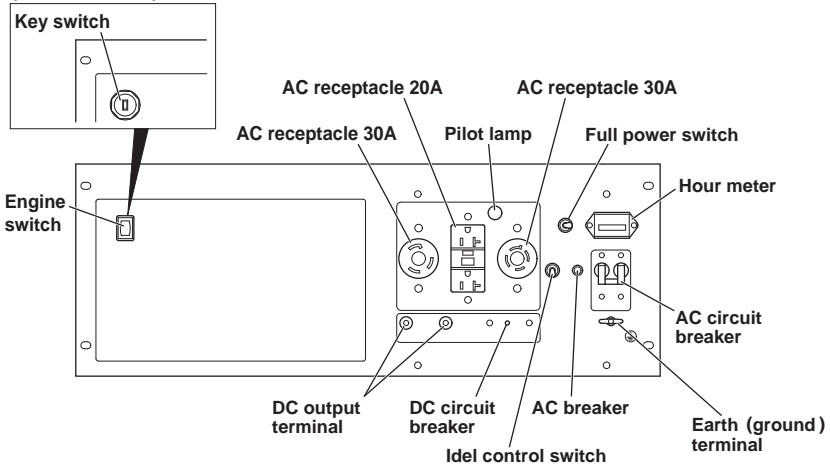


CONTROL PANEL

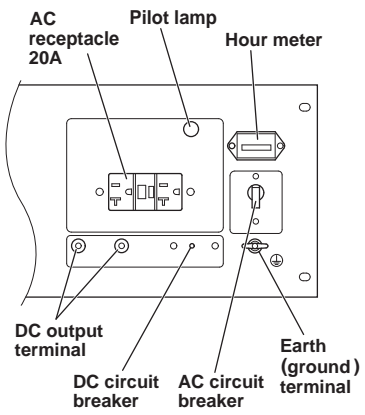
RGX2900, RGX3600, RGX4800

(RGX4800)

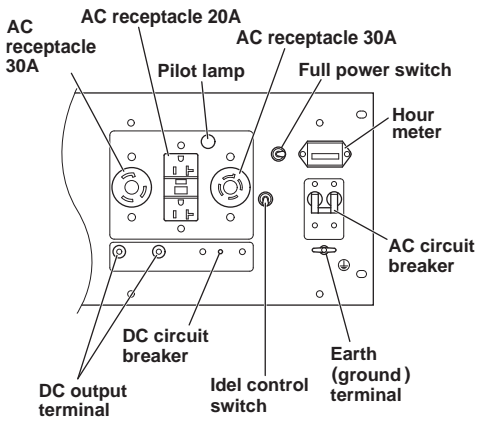
(w/Starter motor)



(RGX2900)

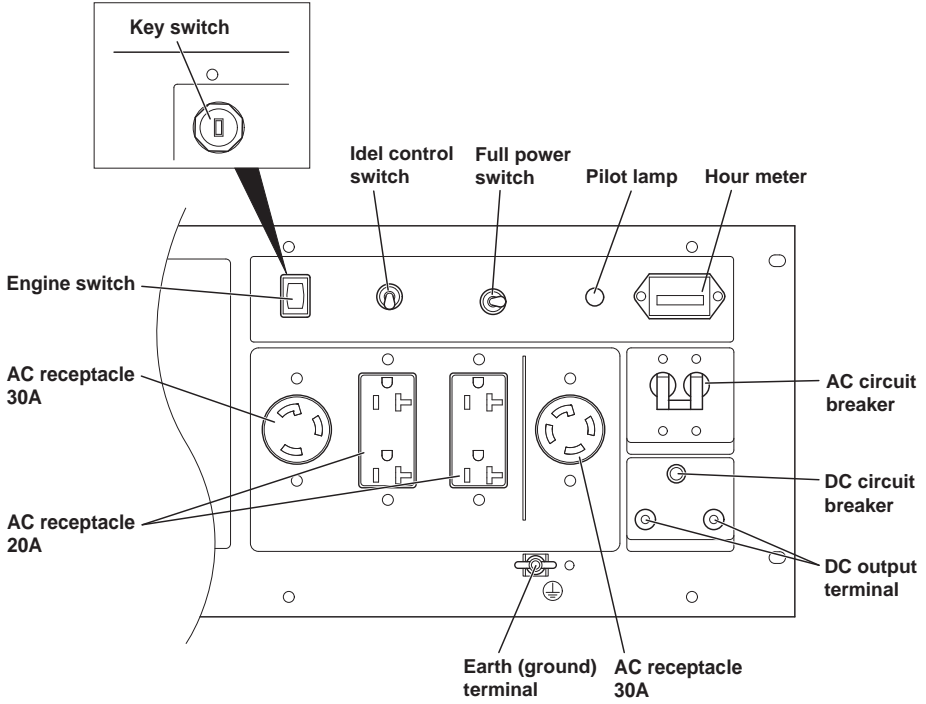


(RGX3600)



RGX6500, RGX7500

(RGX6500, 7500 w/Starter motor)

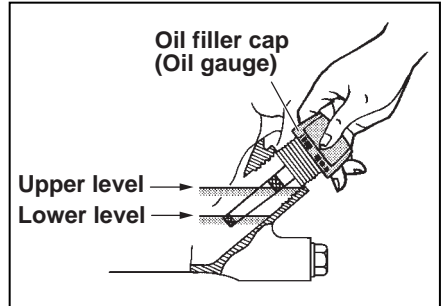


4. PRE-OPERATION CHECKS

CHECK ENGINE OIL

Before checking or refilling oil, be sure generator is located on stable and level surface with engine stopped.

- Remove oil filler cap and check the engine oil level.
- If oil level is below the lower level line, refill with suitable oil (see table) to upper level line. Do not screw in the oil filler cap when checking oil level.
- Change oil if contaminated.
(See "How-To" Maintenance.)



Oil capacity (Upper level) : L(U.S. gal)	
RGX2900	0.6 (0.15)
RGX3600	0.6 (0.15)
RGX4800	1.0 (0.26)
RGX6500	1.2 (0.32)
RGX7500	1.2 (0.32)

Recommended engine oil:

Use 4-stroke automotive detergent oil of API service class **SE** or higher grade (**SG**, **SH** or **SJ** is recommended). **SAE 10W-30** or **10W-40** is recommended for general, all-temperature use. If single viscosity oil is used, select the appropriate viscosity for the average temperature in your area.

Single grade	5W	10W	20W	#20	#30	#40	
Multigrade	10W-30						
	10W-40						
Ambient temperature	-20	-10	0	10	20	30	40°C
	-4	14	32	50	68	86	104°F

CHECK ENGINE FUEL.

⚠ WARNING

- Do not refuel while smoking or near open flame or other such potential fire hazards. Otherwise fire accident may occur.

NOTE :

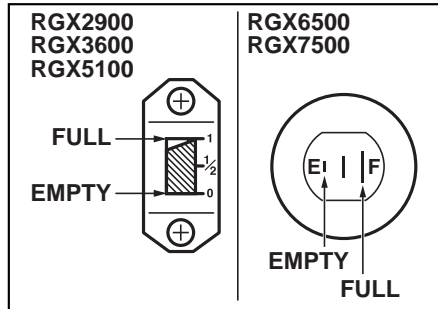
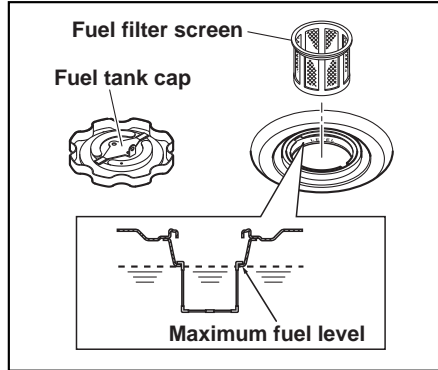
THIS ENGINE IS CERTIFIED TO OPERATE ON AUTOMOTIVE UNLEADED GASOLINE.

- Check fuel level at fuel level gauge.
- If fuel level is low, refill with unleaded automotive gasoline.
- Stop the engine and open the cap.
- Close the fuel valve before filling the fuel tank.
- Be sure to use the fuel filter screen on the fuel filter neck.
- Reattach the fuel cap by turning clockwise until reaching the physical stop (about one quarter turn). Do not attempt to turn past the physical stop or the fuel cap may be damaged.

Fuel Amount

up to "LEVEL" position : L (U.S. gal)

RGX2900	12.0 (3.17)
RGX3600	12.0 (3.17)
RGX4800	12.0 (3.17)
RGX6500	22.0 (5.8)
RGX7500	22.0 (5.8)



⚠ WARNING

Make sure you review each warning in order to prevent fire hazard.

- Do not refill tank while engine is running or hot.
- Close fuel valve before refueling with fuel.
- Be careful not to admit dust, dirt, water or other foreign objects into fuel.
- Wipe off spilt fuel thoroughly before starting engine.
- Keep open flames away.

CHECKING COMPONENT PARTS

Check following items before starting engine:

- Fuel leakage from fuel hose, etc.
- Bolts and nuts for looseness.
- Components for damage or breakage.
- Generator not resting on or against any adjacent wiring.

CHECK GENERATOR SURROUNDINGS

⚠ WARNING

Make sure you review each warning in order to prevent fire hazard.

- Keep area clear of in flammables or other hazardous materials.
- Keep generator at least 3 feet (1 meter) away from buildings or other structures.
- Only operate generator in a dry, well ventilated area.
- Keep exhaust pipe clear of foreign objects.
- Keep generator away from open flame. No smoking!
- Keep generator on a stable and level surface.
- Do not block generator air vents with paper or other material.

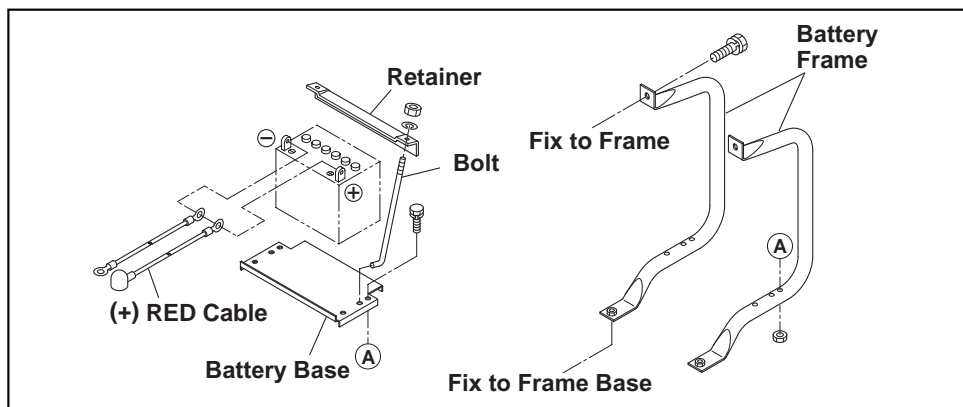
BATTERY INSTALLATION (RGX4800, 6500, 7500 w/Electric Starter)

Recommended Battery

Type ; Lead-acid battery

Capacity (Ah/5hr) ; 12V-21AH or more

Size ; Less than 185(L) x 125(W) x 160(H) mm



⚠ WARNING

Death, personal injury and/or property damage may occur unless instructions are followed carefully.

- Use battery of recommended capacity.
- Turn the starter switch to the “STOP” position when mounting or dismantling battery. When mounting battery, connect the positive (+) cable first and then the negative (-) cable to the battery. Be careful not to short battery cables. When dismantling battery, disconnect negative (-) cable first.

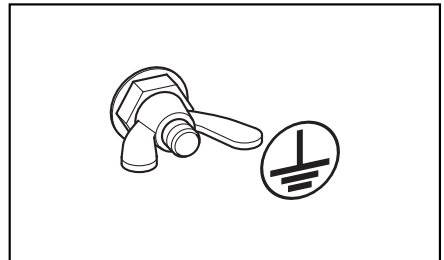
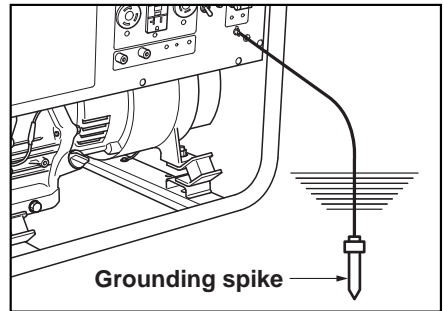
RED CABLE : To positive (+) terminal

BLACK CABLE : To negative (-) terminal

- Should the connection be made in incorrect manner, the generator will be broken.
- Tighten bolts and nuts on terminals securely so they will not be loosened by vibration.
- Disconnect battery cables when charging battery.

GROUNDING THE GENERATOR

- To ground the generator to the earth, connect the grounding lug of the generator to the grounding spike driven into the earth or to the conductor which has been already grounded to the earth.
- If such grounding conductor or grounding electrode is unavailable, connect the grounding lug of the generator to the grounding terminal of the using electric tool or appliance.



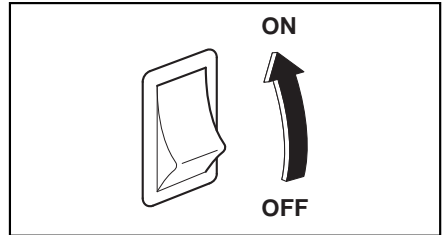
5. OPERATING PROCEDURES

STARTING THE GENERATOR

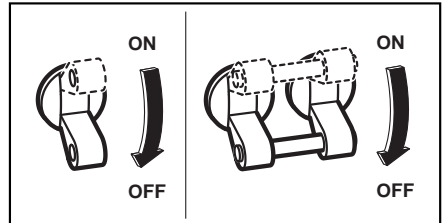
[CAUTION]

Check the oil level before each operations as outlined by the article "CHECK ENGINE OIL"

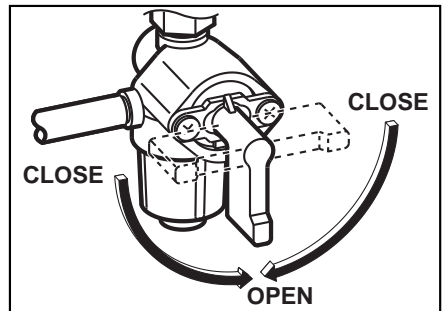
- (a) Turn the Engine switch to the position "ON".



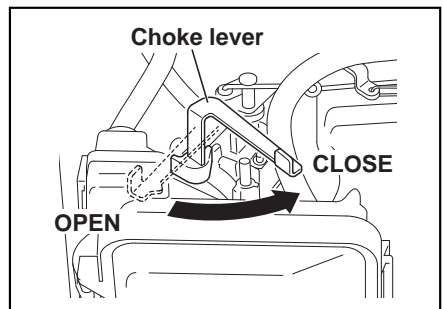
- (b) Turn the AC circuit breaker to the position "OFF".



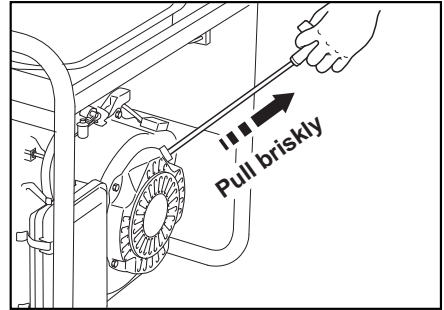
- (c) Open the fuel valve.



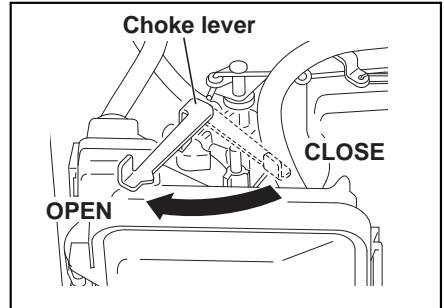
- (d) Set choke lever to close if the engine is cold.



- (e) Pull the starter handle slowly until passing the compression point (resistance will be felt), then return the handle to its original position and pull briskly.
- If the engine fails to start after several attempts, repeat above procedures with choke lever returned to "OPEN" position.
 - Do not fully pull out the rope.
 - After starting, allow the starter handle to return to its original position while still holding the handle.



- (f) After the engine started, return the choke lever gradually to "OPEN" position.



- (g) Warm up the engine without a load for a few minutes.

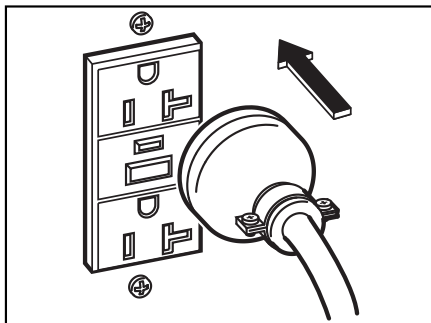
USING ELECTRIC POWER

⚠ WARNING

- Make sure that the appliance is switched OFF before connecting it to the generator.
- Do not move the generator while it is running.
- Be sure to ground the generator if the connected appliance is grounded. Failure to ground unit may lead to electrical shock.

(1) AC APPLICATION

- Make sure the pilot lamp is turned on.
- Turn off the switch (es) of the electrical appliance (s) before connecting to the generator.
- Insert the plug (s) of the electrical appliance(s) into the receptacle.



- Check the amperage of the receptacles used referring to TABLE 1, and be sure not to take a current exceeding the specified amperage.
- Be sure that the total wattage of all appliances dose not exceed the rated output of the generator.





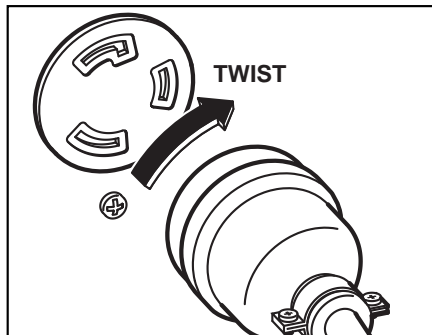
Style	Ampere	Receptacle	AC plug	Description
	up to 20A	NEMA 5-20R	NEMA 5-20P	GFCI (Ground Fault Circuit Interrupter) Receptacle, duplex(REC1)
	up to 20A	NEMA L14-20R	NEMA L14-20P	Locking Receptacle(REC2)
	up to 30A	NEMA L5-30R	NEMA L5-30P	Locking Receptacle(REC3)
	up to 30A	NEMA L14-30R	NEMA L14-30P	Locking Receptacle(REC4)

TABLE 1

⚠ WARNING

- To take power out from the **TWIST LOCK RECEPTACLE**, insert the plug into the receptacle, and turn it clockwise to the lock position.
- Be sure to ground the generator if the connected electrical device is grounded.

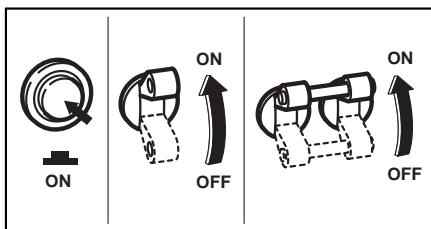
**NOTE :**

When the AC circuit breaker turns off during operation, the generator is over loaded or the appliance is defective. Stop the generator immediately, check the appliance and / or generator for overloading or detect and have repaired as necessary by SUBARU Industrial Power Products dealer or service shop.

[CAUTION]

The duplex 120V receptacle is protected by a GFCI (Ground Fault Circuit Interrupter). GFCI shuts off the output current from the duplex 120V receptacle when a ground fault occurs in the generator or the appliance. Please note that other receptacles are not protected by GFCI.

- (d) Check and confirm whether circuit breaker position is “ ON ”.
- (e) Turn on the switch of the appliance.



GFCI RECEPTACLE

After starting the engine, check the GFCI for proper functioning by the following test procedure.

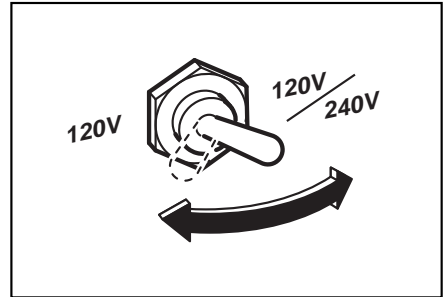
- Push blue TEST button, The red RESET button will pop out exposing the word TRIP. Power is now off at the outlets protected by the GFCI, indicating that the device is functioning properly.
- If TRIP dose not appear when testing, do not use the generator. Call a qualified electrician.
- To restore power, push RESET button.

WARNING

If the RESET button pops out during operation, stop the generator immediately and call a qualified electrician for checking generator and the appliances.

FULL POWER SWITCH (Except RGX2900)

Select the voltage using the FULL POWER SWITCH in accordance with the electrical appliance.
Refer to **TABLE 2**.



[CAUTION]

Change the FULL POWER SWITCH after turning the AC circuit breaker to “OFF”.

Switch position	Lower Voltage Receptacle	Higher Voltage Receptacle
120V	Activated full rated output	N.A
120/240V	Activated half of rated output	Activated full rated output

TABLE 2

IDLE CONTROL SWITCH (Except RGX2900)

IDLE CONTROL SWITCH automatically reduces engine speed when load is OFF, and automatically increases engine speed to rated r.p.m. when load is ON.

IDLE CONTROL SWITCH provides fuel economy and low noise operation at no-load running.

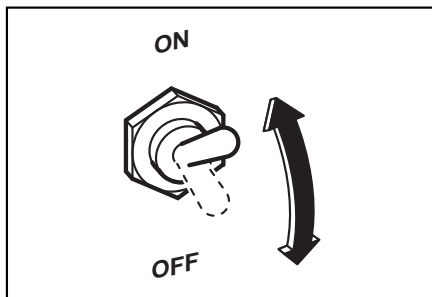
(1) HOW TO USE IDLE CONTROL SWITCH

- Start the engine with IDLE CONTROL SWITCH off.

NOTE :

Warm up the engine without a load for a few minutes.

- Turn IDLE CONTROL SWITCH on.



(2) CHECKING THE OPERATION

When IDLE CONTROL SWITCH does not operate normally, please check following :

- Overloaded ?

Please make it sure that the generator is not overload.

NOTE :

Most induction loads such as electric motors require three to five times more wattage than their ratings during starting.

This starting wattage should not exceed the rated output of the generator for proper operation of IDLE CONTROL SWITCH.

- Turn IDLE CONTROL SWITCH off when the IDLE CONTROL SWITCH does not work normally under the rated output.

NOTE :

The IDLE CONTROL SWITCH may not operate when the applied load is under 40W. In such cases turn the IDLE CONTROL SWITCH off.

(3) STOPPING THE ENGINE

- Turn off the switch of load.
- Switch off generator's AC breaker.
- Disconnect tool or appliance.
- Turn the IDLE CONTROL SWITCH off.
- Turn the STOP SWITCH to the position "O" (OFF).

NOTE :

Allow the engine about 3 minutes to cool down at no-load before stopping.

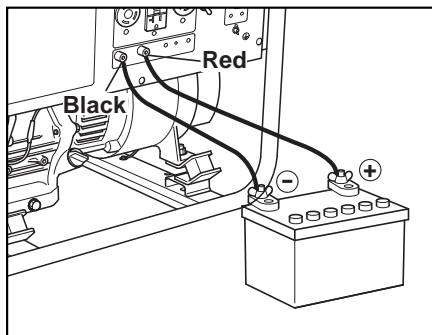
(2) DC APPLICATION

The DC terminal is used only for charging 12 volt batteries.

It provides up to 12V-8.3A (100W) of maximum power.

CONNECTION OF CABLE :

- Connect positive (red) terminal on generator to positive (+) terminal on battery.
- Connect negative (black) terminal on generator to negative (-) terminal on battery.
- Both AC and DC output can be used at the same time if the total output is within rated output of the generator.

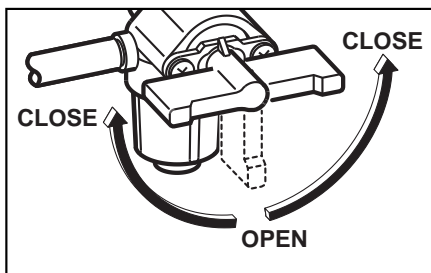
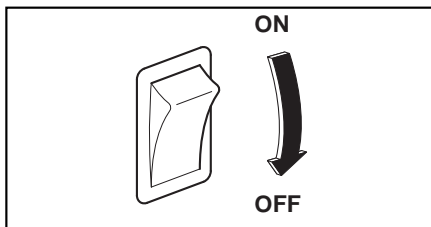
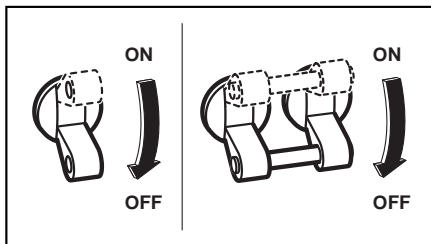


SAFETY PRECAUTIONS WHILE CHARGING

- An explosive hydrogen gas is discharged through vent holes in the battery during the charging process. Do not allow spark or open flame around the generator or battery during the charging process.
- Electrolyte fluid can burn eyes and clothing. Be extremely careful to avoid contact. If injured, wash the affected area immediately with large quantities of water and consult a doctor for treatment.
- When charging a large capacity battery or totally discharged battery, excessive current may force the DC breaker to turn off. In such cases, use a battery charger to charge a large battery with AC output.
- Battery defects may cause the DC breaker to turn off. Check the battery before replacing the DC breaker.

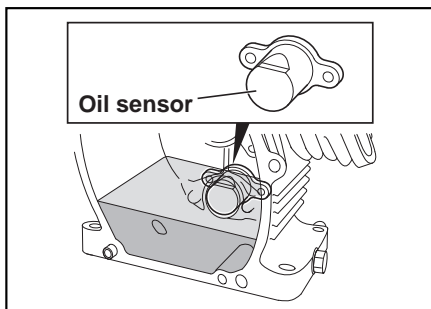
STOPPING THE GENERATOR

- (a) Turn off the power switch of the electric equipment and unplug the cord from receptacle of the generator.
- (b) Turn the AC circuit breaker to the "OFF" position.
- (c) Allow the engine about 3 minutes to cool down at no-load before stopping.
- (d) Turn the Engine switch to the position "OFF".
- (e) Close the fuel valve.



OIL SENSOR

- (a) The oil sensor detects the fall in oil level in the crankcase and automatically stops the engine when the oil level falls below a predetermined level.
- (b) When engine has stopped automatically, switch off generator's AC circuit breaker, and check the oil level. Refill engine oil to the upper level as instructed on page 6 and restart the engine.
- (c) If the engine does not start by usual starting procedures, check the oil level.



6.WATTAGE INFORMATION

Some appliances need a “surge” of energy when starting.

This means that the amount of electrical power needed to start the appliance may exceed the amount needed to maintain its use.

Electrical appliances and tools normally come with a label indicating voltage, cycles / Hz, amperage (amps) and electrical power needed to run the appliance or tool.

Check with your nearest dealer or service center with questions regarding power surge of certain appliances or power tools.

- Electrical loads such as incandescent lamps and hot plates require the same wattage to start as is needed to maintain use.
- Loads such as fluorescent lamps require 1.2 to 2 times the indicated wattage during start-up.
- Loads for mercury lamps require 2 to 3 times the indicated wattage during start-up.
- Electrical motors require a large starting current. Power requirements depend on the type of motor and its use. Once enough “surge” is attained to start the motor, the appliance will require only 50% to 30% of the wattage to continue running.
- Most electrical tools require 1.2 to 3 times their wattage for running under load during use. For example, a 5,000 watt generator can power a 1800 to 4000 watt electrical tool.
- Loads such as submersible pumps and air compressors require a very large force to start. They need 3 to 5 times the normal running wattage in order to start. For example, a 5,000 watt generator would only be able to drive a 1,000 to 1,700 watt pump.

NOTE:

The following wattage chart is general guide only. Refer to your specific appliance for correct wattage.

To determine the total wattage required to run a particular electrical appliance or tool, multiply the voltage figure of the appliance/tool by the amperage (amps) figure of same. The voltage and amperage (amps) information can be found on a name plate which is normally attached to electrical appliances and tools.

Applications	Applicable Wattage(W)				
	RGX2900	RGX3600	RGX4800	RGX6500	RGX7500
Incandescent lamp, Heater	2400	2900	4100	5000	6000
Fluorescent lamp, Electric tool	1200	1500	2100	2750	3300
Mercury lamp	900	1100	1500	2000	2400
Pump, Compressor	550	650	950	1250	1500

VOLTAGE DROP IN ELECTRIC EXTENSION CORDS

When a long electric extension cord is used to connect an appliance or tool to the generator, a certain amount of voltage drop or loss occurs in the extension cord which reduces the effective voltage available for the appliance or tool.

The chart below has been prepared to illustrate the approximate voltage loss when an extension cord of 300 feet (approx. 100 meters) is used to connect an appliance or tool to the generator.

Nominal cross section	A.W.G.	Allowable current	No.of strands / strands dia.	Resistance	Current Amp.							Voltage drop
					1A	3A	5A	8A	10A	12A	15A	
mm ²	No.	A	No./mm	Ω /100m	1A	3A	5A	8A	10A	12A	15A	
0.75	18	7	30/0.18	2.477	2.5V	8V	12.5V	—	—	—	—	
1.27	16	12	50/0.16	1.486	1.5V	5V	7.5V	12V	15V	18V	—	
2.0	14	17	37/0.26	0.952	1V	3V	5V	8V	10V	12V	15V	
3.5	12 to 10	23	45/0.32	0.517	—	1.5V	2.5V	4V	5V	6.5V	7.5V	
5.5	10 to 8	35	70/0.32	0.332	—	1V	2V	2.5V	3.5V	4V	5V	

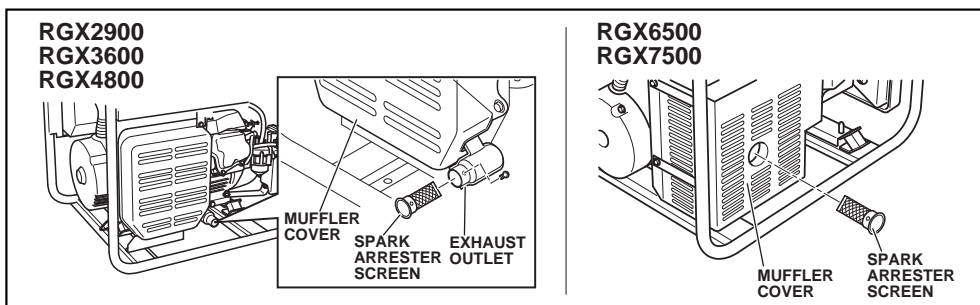
7. SPARK ARRESTER

In a dry or wooded area, it is recommendable to use the product with a spark arrester. Some areas require the use of a spark arrester. Please check your local laws and regulations before operating your product.

The spark arrester must be cleaned regularly to keep it functioning as designed. A clogged spark arrester :

- Prevents the flow of exhaust gas
- Reduces engine output
- Increases fuel consumption
- Makes starting difficult

If the engine has been running, the muffler and the spark arrester will be very hot. Allow the muffler to cool before cleaning the spark arrester.



How to remove the spark arrester

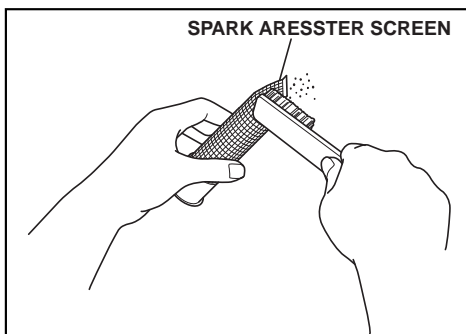
1. Remove the flange bolts from the muffler cover and remove the muffler cover.
2. Remove the special screw from the spark arrester and remove the spark arrester from the muffler.

Clean the spark arrester screen

Use a brush to remove carbon deposits from the spark arrester screen. Be careful to avoid damaging the screen.

The spark arrester must be free of breaks and holes. Replace the spark arrester if it is damaged.

Install the spark arrester, and muffler protector in the reverse order of disassembly.

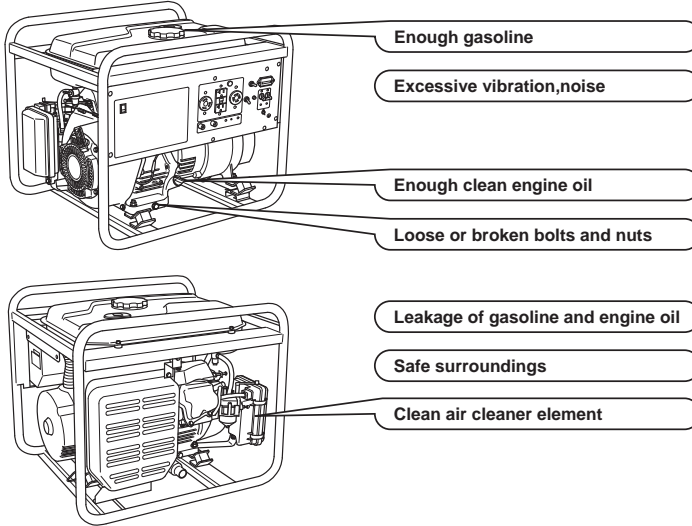


8. MAINTENANCE SCHEDULE

MAINTENANCE, REPLACEMENT, OR REPAIR OF THE EMISSION CONTROL DEVICES AND SYSTEMS MAY BE PERFORMED BY ANY NONROAD ENGINE REPAIR ESTABLISHMENT OR INDIVIDUAL.

DAILY INSPECTION

Before running the generator, check the following service items:



PERIODIC MAINTENANCE

Periodic maintenance is vital to safe and efficient operation of your generator. Check the table below for periodic maintenance intervals.

IT IS ALSO NECESSARY FOR THE USER OF THIS GENERATOR TO CONDUCT THE MAINTENANCE AND ADJUSTMENTS ON THE EMISSION-RELATED PARTS LISTED BELOW TO KEEP THE EMISSION CONTROL SYSTEM EFFECTIVE.

The emission control system consists of the following parts :

- | | | |
|---|--|--|
| (1) Carburetor and internal parts | (4) Air cleaner elements | (8) Exhaust manifold, if applicable |
| (2) Cold start enrichment system, if applicable | (5) Spark plug | (9) Hoses, belts, connectors, and assemblies |
| (3) Intake manifold, if applicable | (6) Magneto or electronic ignition system | |
| | (7) Spark advance/retard system, if applicable | |

The maintenance schedule indicated in the table is based on the normal generator operation. Should the generator be operated in extremely dusty condition or in heavier loading condition, the maintenance intervals must be shortened depending on the contamination of oil, clogging of filter elements, wear of parts, and so on.

Periodic Maintenance Schedule table

Maintenance Items	Every 8 hours (Daily)	Every 50 hours (Weekly)	Every 200 hours (Monthly)	Every 500 hours	Every 1000 hours
Clean generator and check bolt and nuts	● (Daily)				
Check for leakage from hoses and fitting	● (Daily)				
Check and refill engine oil	● (Refill daily up to upper level)				
Change engine oil (*Note1)	● (Initial 20 hours)	● (Every 100 hours)			
Clean spark plug		● (Every 100 hours)			
Clean air cleaner		●			
Clean spark arrester		● (Every 100 hours)			
Replace air cleaner element			●		
Clean fuel filter			●		
Clean and adjust spark plug and electrodes			●		
Replace spark plug				●	
Remove carbon from cylinder head (*Note 2)				●	
Check and adjust valve clearance (*Note 2)				●	
Clean and adjust carburetor (*Note 2)				●	
Clean and replace carbon brushes				●	
Replace fuel lines					● (Every 2 years)
Overhaul engine (*Note 2)					●
Check AC receptacles	● (Daily)				
Check DC terminal	● (Daily)				
Check engine switch	● (Daily)				
Check rotor					●
Check stator					●
Replace engine mount					●

*Note: 1. Initial oil change should be performed after first twenty (20) hours of operation.

Thereafter change oil every hundred (100) hours.

Before changing oil, check for a suitable way to dispose of old oil.

Do not pour it down into sewage drains, onto garden soil or into open streams.

Your local zoning or environmental regulations will give you more detailed instructions on proper disposal.

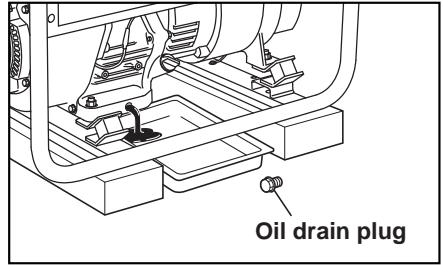
*Note: 2. As to the procedures for these items, please refer to the SERVICE MANUAL or consult your nearest service dealer.

9. "HOW-TO" MAINTENANCE

ENGINE OIL CHANGE

- Change engine oil every 100 hours.
(For new engine, change oil after 20 hours.)

(a) Drain oil by removing the drain plug and the oil filler cap while the engine is warm.



- (b) Reinstall the drain plug and fill the engine with oil until it reaches the upper level on the oil filler cap.
- Use fresh and high quality lubricating oil to the specified level as directed on page 6. If contaminated or deteriorated oil is used or the quantity of the engine oil is not sufficient, the engine damage will result and its life will be greatly shortened.

SERVICING THE AIR CLEANER

Maintaining an air cleaner in proper condition is very important.

Dirt induced through improperly installed, improperly serviced or inadequate elements damages and wears out engines. Keep the element always clean.

(a) Remove the bolt of air cleaner cover. (RGX6500, 7500)
Remove the air cleaner cover and cleaner element.

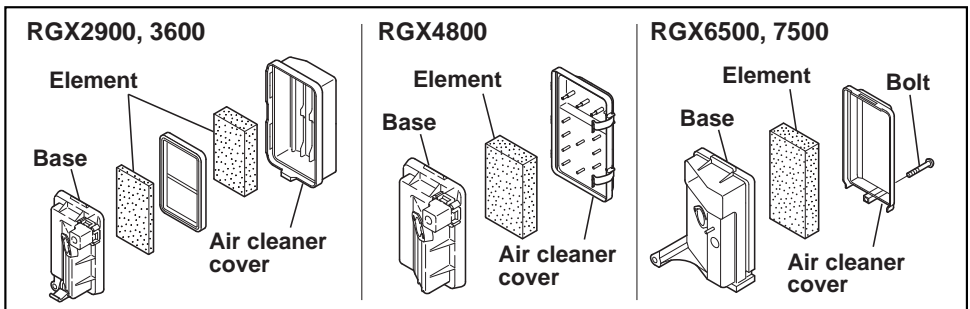
(b) Urethane form : Wash urethane form element in kerosene or diesel fuel. Then saturate the element in a mixture of 3 parts kerosene or diesel fuel and 1 part engine oil.
Squeeze the element to remove the mixture and install it in the air cleaner.

NOTE :

Instead of washing oil (kerosene), it is possible to wash the urethane foam element in a solution of mild detergent and warm water.

Then rinse the element thoroughly in clean water.

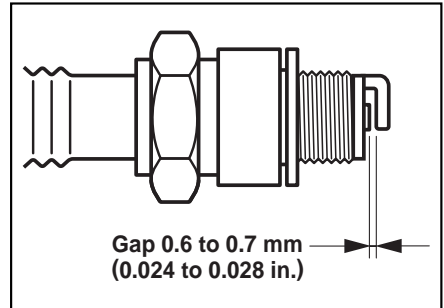
Allow the element to dry thoroughly. Soak the element in clean engine oil and squeeze out excess oil.



CLEANING AND ADJUSTING SPARK PLUG

- (a) If the plug is contaminated with carbon, remove it using a plug cleaner or wire brush.
- (b) Adjust the electrode gap to 0.6 to 0.7 mm (0.024 to 0.028 in.).

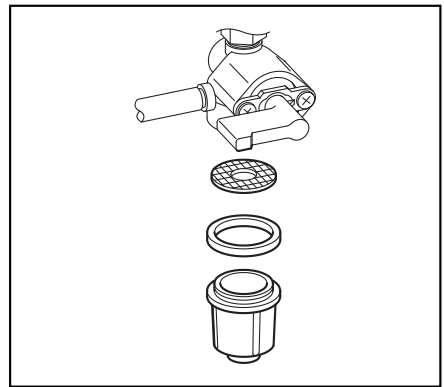
Spark plug : BR-6HS (NGK)



CLEANING FUEL STRAINER

Dirt and water in the fuel are removed by the fuel strainer.

- (a) Remove the strainer cup and throw away water and dirt.
- (b) Clean the screen and strainer cup with gasoline.
- (c) Tightly fasten the cup to main body, making sure to avoid fuel leak.



HIGH ALTITUDE ENGINE OPERATION

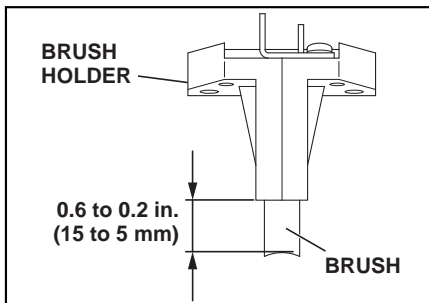
- Please have an authorized SUBARU Industrial Power Products service dealer modify this engine if it is to be run continuously above 5,000 feet (1,500 meters). Failure to do so, may result in poor engine performance, spark plug fouling, hard starting, and increased emissions.
- Carburetor modification by an authorized SUBARU Industrial Power Products service dealer will improve performance and allow that this engine meets EPA (Environmental Protection Agency) and California ARB (Air Resources Board) emission standards throughout its useful life.
- An engine converted for high altitudes can not be run at 5,000 feet or lower. In doing so, the engine will overheat and cause serious engine damage. Please have an authorized SUBARU Industrial Power Products service dealer restore high altitude modified engines to the original factory specification before operating below 5,000 feet.

CHECKING CARBON BRUSH (RGX6500, 7500)

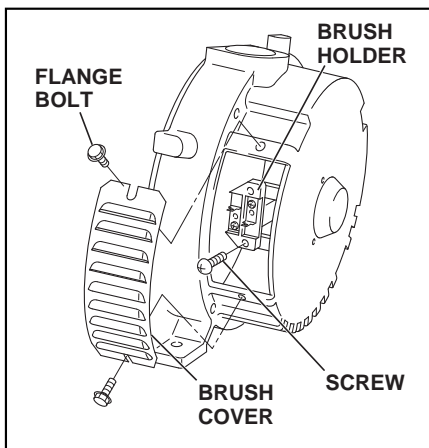
If the brush become excessively worn, its contact pressure with the slip ring changes and causes a roughened surface on the slip ring, resulting in irregular generator performance.

Check the brush every 500 hours or if generator performance is irregular.

If the brush is 5 mm long or less, replace it with a new one.



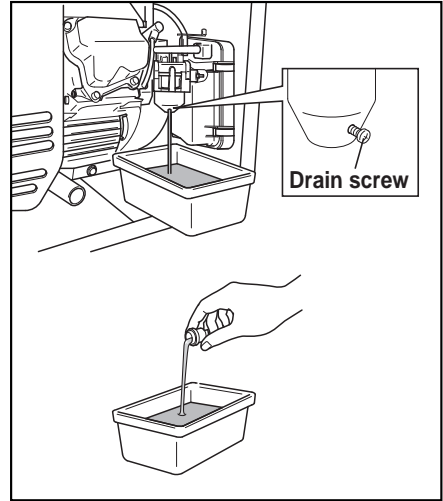
- (a) Remove the brush cover.
- (b) Disconnect the wire connector and remove the brush.
- (c) Carefully note the brush direction and relative position with the slip ring when installing new brush.



10. PREPARATION FOR STORAGE

The following procedures should be followed prior to storage of your generator for periods of 6 months or longer.

- Drain fuel from fuel tank carefully by disconnecting the fuel line. Gasoline left in the fuel tank will eventually deteriorate making engine-starting difficult.
- Remove the carburetor float chamber and also drain the carburetor.
- Change engine oil.
- Check for loose bolts and screws, tighten them if necessary.



- Clean generator thoroughly with oiled cloth. Spray with preservative if available. **NEVER USE WATER TO CLEAN GENERATOR !**
- Pull starter handle until resistance is felt, leaving handle in that position.
- Store generator in a well ventilated, low humidity area.

11. TROUBLESHOOTING

When generator engine fails to start after several attempts, or if no electricity is available at the output socket, check the following chart. If your generator still fails to start or generate electricity, contact your nearest SUBARU Industrial Power Products dealer or service shop for further information or corrective procedures.

When Engine Fails to Start:

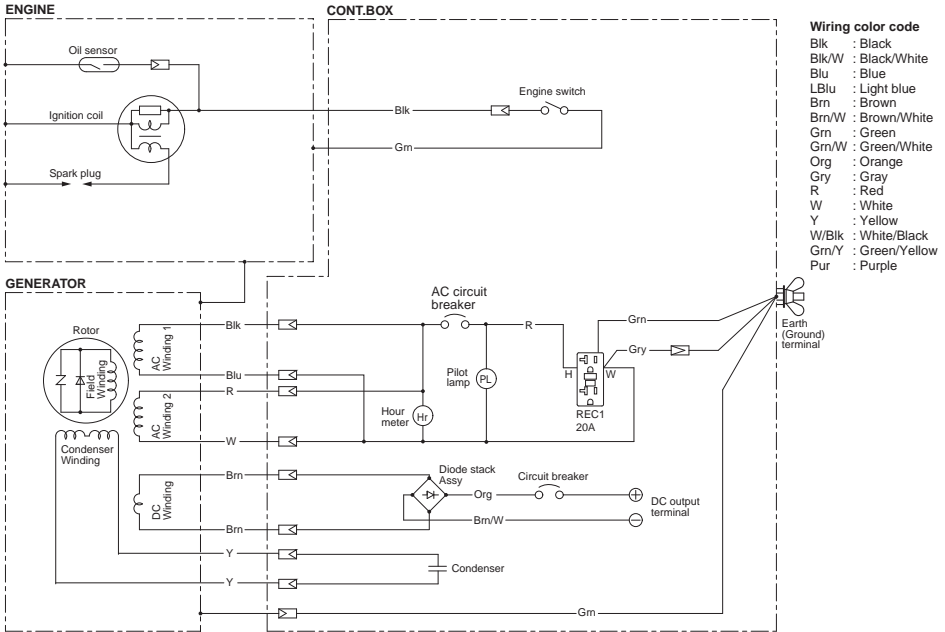
Check if choke lever is in its proper position.		Set the choke lever to "CLOSE" position.
Check if fuel valve is open.	↔	If closed, open fuel valve.
Check fuel level.		If empty, refill fuel tank making sure not to overfill.
Check if engine switch is in OFF.		Turn engine switch to ON.
Check to make sure generator is not connected to an appliance.		If connected, turn off the power switch on the connected appliance and unplug.
Check spark plug for loose spark plug cap.	↔	If loose, push spark plug cap back into place.
Check spark plug for contamination.		Remove spark plug and clean electrode.

When No Electricity Is Generated at Receptacle:

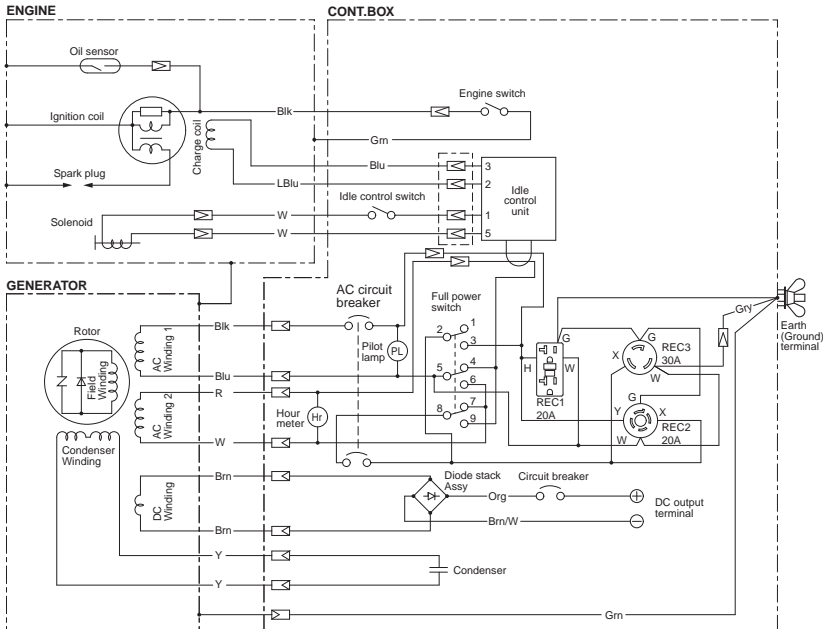
Check to make sure AC circuit breaker is in the "ON" position.	↔	After making sure that the total wattage of the electrical appliance is within permissible limits and there are no defects in the appliance, turn the AC circuit breaker to the "ON" position. If breakers continue to actuate, consult your nearest servicing dealer.
Check AC receptacle and DC terminals for loose connection.		Secure connection if necessary.
Check to see if engine starting was attempted with appliances already connected to generator.	↔	Turn off switch on the appliance, and disconnect cable from receptacle. Reconnect after generator has been started properly.
Low power.		Carbon brushes are excessively worn

12. WIRING DIAGRAM

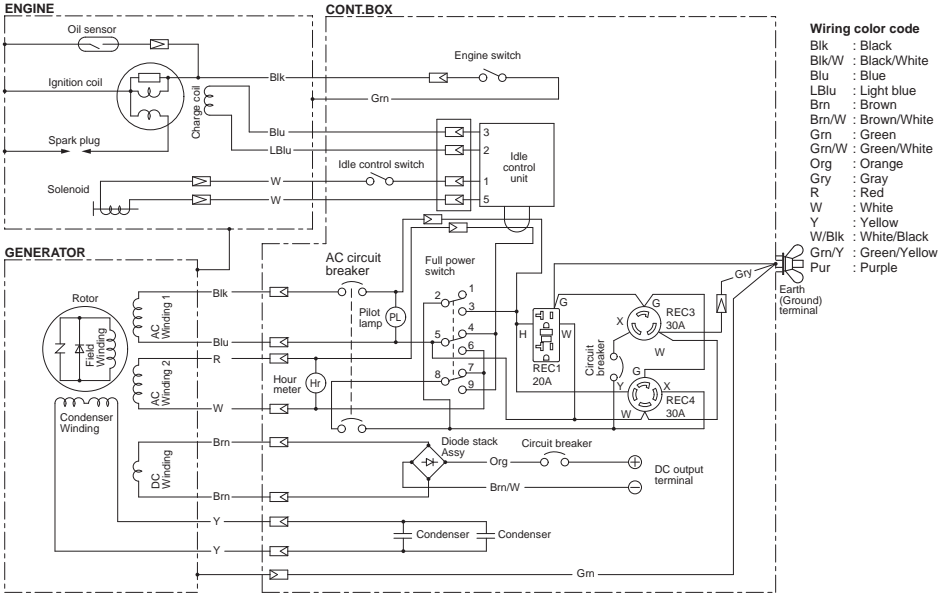
RGX2900 (60Hz-120V)



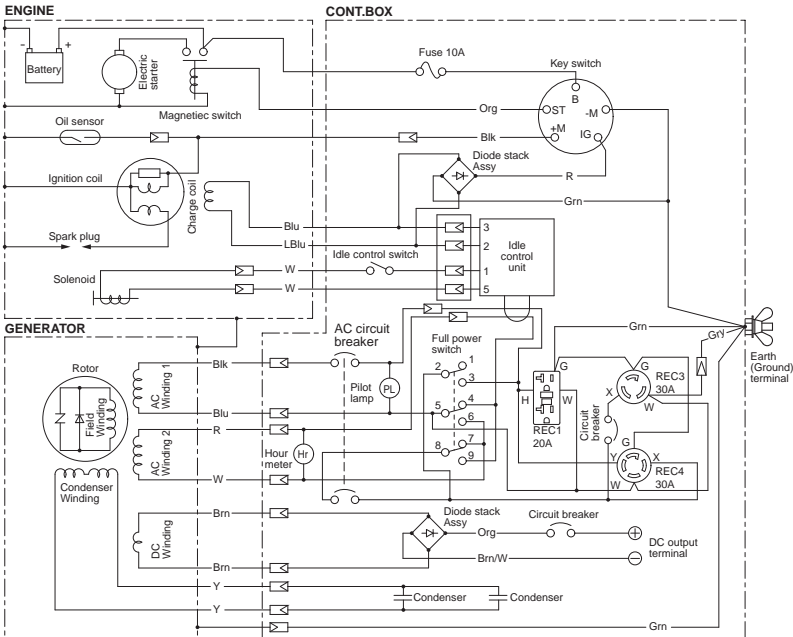
RGX3600 (60Hz-120/240V)



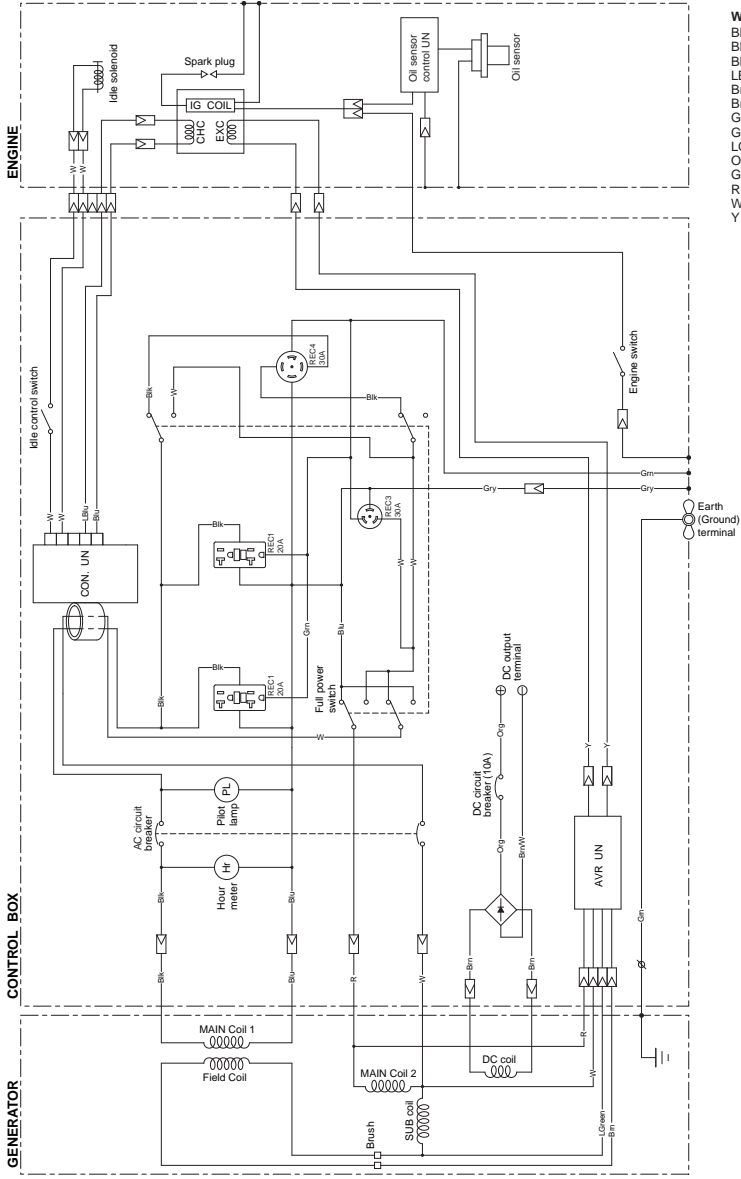
RGX4800 (60Hz-120/240V)



RGX4800[w / Starter motor] (60Hz-120/240V)

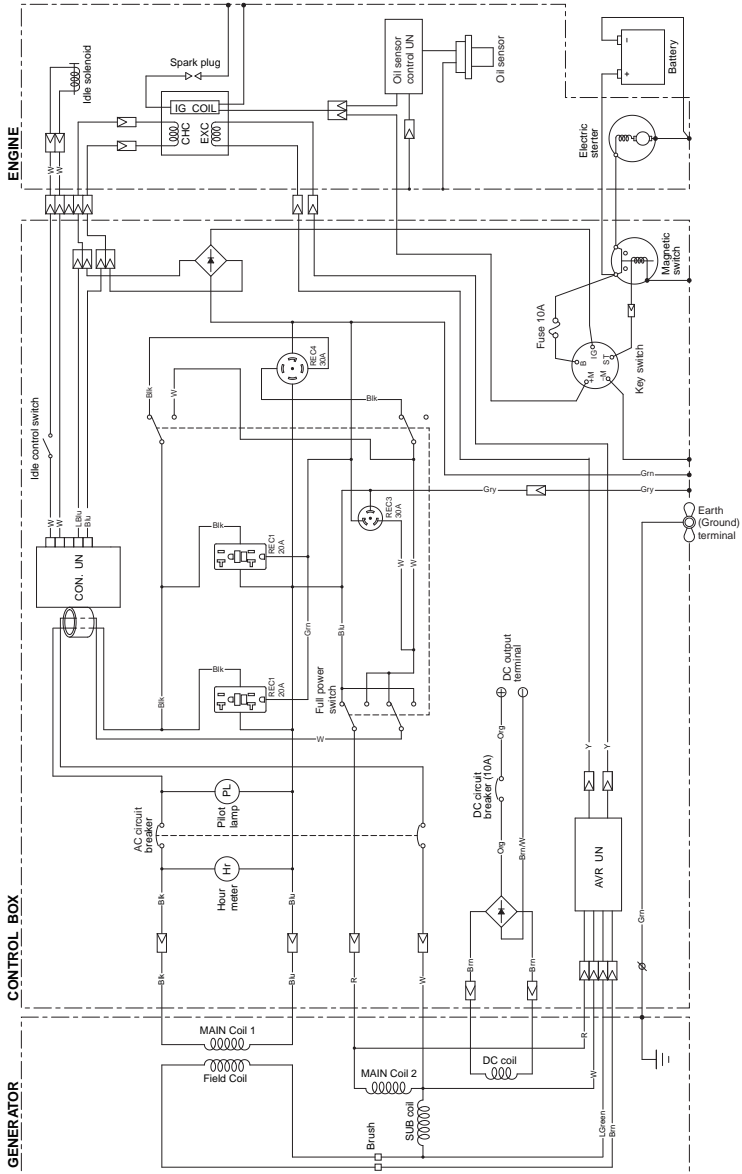


RGX6500,7500 (60Hz-120/240V)



- Wiring color code**
- Blk : Black
 - Blk/W : Black/White
 - Blu : Blue
 - LBlu : Light Blue
 - Bm : Brown
 - Brn/W : Brown/White
 - Gm : Green
 - Grn/W : Green/White
 - LGrn : Light Green
 - Org : Orange
 - Gry : Gray
 - R : Red
 - W : White
 - Y : Yellow

RGX6500,7500 [w / Starter motor] (60Hz-120/240V)



- Wiring color code**
- Blk : Black
 - Blk/W : Black/White
 - Blu : Blue
 - LBlu : Light Blue
 - Brn : Brown
 - Brn/W : Brown/White
 - Grn : Green
 - Grn/W : Green/White
 - LGrn : Light Green
 - Org : Orange
 - Gry : Gray
 - R : Red
 - W : White
 - Y : Yellow



ISSUE EMD-GU7220



SUBARU

**FUJI HEAVY INDUSTRIES LTD.
INDUSTRIAL PRODUCTS COMPANY**

4-410 ASAHI, KITAMOTO-SHI, SAITAMA, 364-8511, JAPAN
TEL:+81-48-593-7798, FAX:+81-48-593-7946
<http://www.subaru-robin.jp>

PRINTED IN JAPAN
June 2011
